

Specifications



Wind-Free™ Optimum

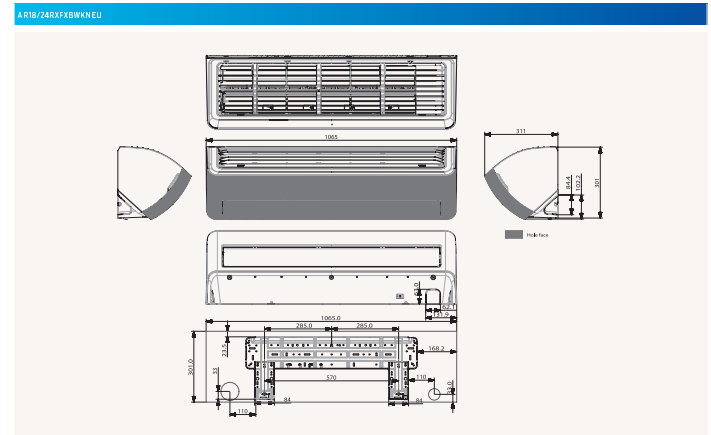
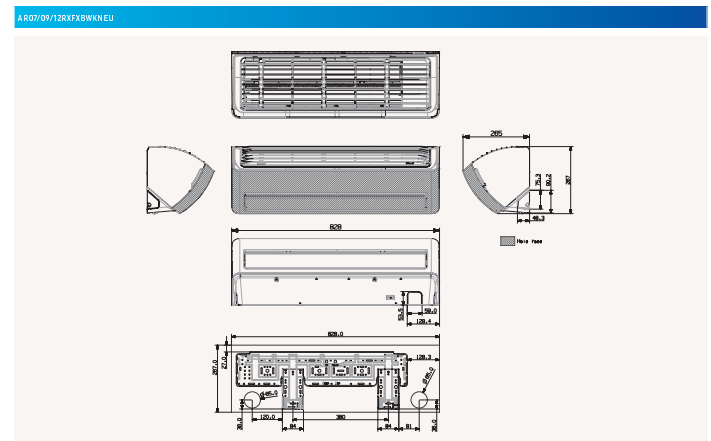
- Wind-Free™ Cooling
- Ionizer (SP)
- Easy Filter Plus
- WiFi Control - Samsung SmartThings

Indoor Unit			AR07RXPXBWKNUE	AR09RXPXBWKNUE	AR12RXPXBWKNUE	AR18RXPXBWKNUE	AR24RXPXBWKNUE
Capacity	Cooling	kW	2.0	2.5	3.5	5.0	6.5
	Heating up to +7°C	kW	2.2	3.2	3.5	6.0	7.4
Performance							
Moisture Removal		l/h	TBD	1.0	1.5	2.0	2.5
Air Flow Rate		m ³ /min	9.3	9.3	10	15.9	17.6
Sound Power	Cooling	dB(A)	14	14	15.6	18	19.2
Sound Pressure	Low/High	dB(A)	22 / 37	19 / 37	19 / 38	25 / 41	26 / 45
	Electrical Data						
Power Source	V/Hz/Φ		220 ~ 240/ 50/ 1	220 ~ 240/ 50/ 1	220 ~ 240/ 50/ 1	220 ~ 240/ 50/ 1	220 ~ 240/ 50/ 1
Power consumption	Cooling	W	50	50	50	50	50
	Heating	W	30	30	30	50	50
Current Input	Cooling	A	0.3	0.3	0.3	0.4	0.4
	Heating	A	0.3	0.3	0.3	0.4	0.4
Dimensions							
Net Dimensions (W x H x D)	mm		828x267x265	828x267x265	828x267x265	1065x310x311	1065x310x311
Net Weight	kg		9.4	9.4	9.4	13.2	13.4
Refrigerant							
Piping Connections	Liquid Pipe	Φinch	1/4	1/4	1/4	1/4	1/4
	Gas Pipe	Φinch	3/8	3/8	3/8	3/8	3/8
Piping Connections	Drain Pipe	Φmm	D 16	D 16	D 16	D 16	D 16
Functions							
Air Flow	Wind-Free™ Cooling		•	•	•	•	•
	Air Direction Control (Up/Down)		Auto	Auto	Auto	Auto	Auto
	Air Direction Control (Left/Right)		Auto	Auto	Auto	Auto	Auto
Air Purification	Auto Fan speed		•	•	•	•	•
	Ionizer (SP)		•	•	•	•	•
	PM 2.5 Filter		-	-	-	-	-
	Easy Filter Plus		•	•	•	•	•
	Allergy Care		•	•	•	•	•
	Anti-Bacteria		•	•	•	•	•
Operating Mode	Auto Clean (Self Cleaning)		•	•	•	•	•
	2 Step Cooling		•	•	•	•	•
Other Functions	Fast Cool		•	•	•	•	•
	Comfort Cool		•	•	•	•	•
	Good Sleep		•	•	•	•	•
	Dehumidification		•	•	•	•	•
	Fan Mode		•	•	•	•	•
	Quiet		•	•	•	•	•
Other Functions	WiFi Control - Samsung SmartThings		•	•	•	•	•
	Filter Cleaning Indicator		•	•	•	•	•
	Indoor Temp. Display		•	•	•	•	•
	Display On/Off		•	•	•	•	•
	Beep On/Off		•	•	•	•	•
	Auto Changeover		•	•	•	•	•
	Auto Restart		•	•	•	•	•



Dimensional Drawings

Wind-Free™ Optimum



Specifications



Wind-Free™ Standard

- Wind-Free™ Cooling
- Easy Filter Plus
- WiFi Control - Samsung SmartThings

Indoor Unit			AR07R/XC/WKNEU	AR09R/XC/WKNEU	AR12R/XC/WKNEU	AR18R/XC/WKNEU	AR24R/XC/WKNEU
Capacity	Cooling	kW	2.0	2.75	3.5	5.0	6.5
	Heating up to +7°C	kW	2.2	3.2	3.5	6.0	7.4
Performance							
Moisture Removal		l/h	TBD	1.0	1.5	2.0	2.5
Air Flow Rate		m ³ /min	9.3	9.3	10.8	15.9	17.6
Sound Power	Cooling	dB(A)	14	14	15	18	20
	Low/High	dB(A)	22 / 37	19 / 37	19 / 40	25 / 41	26 / 45
Electrical Data							
Power Source		V/Hz/Φ	220-240/50/1	220-240/50/1	220-240/50/1	220-240/50/1	220-240/50/1
Power consumption	Cooling	W	30	30	30	50	50
	Heating	W	30	30	30	50	50
Current Input	Cooling	A	0.3	0.3	0.3	0.4	0.4
	Heating	A	0.3	0.3	0.3	0.4	0.4
Dimensions							
Net Dimensions (W x H x D)		mm	828x267x265	828x267x265	828x267x265	1065x311x311	1065x311x311
Net Weight		kg	9.4	9.4	9.4	13.2	13.4
Refrigerant							
Piping Connections	Liquid Pipe	Φinch	1/4	1/4	1/4	1/4	1/4
	Gas Pipe	Φinch	3/8	3/8	3/8	1/2	5/8
Piping Connections	Drain Pipe	Φmm	D 16	D 16	D 16	D 16	D 16
Functions							
Air Flow	Wind-Free™ Cooling		•	•	•	•	•
	Air Direction Control (Up/Down)		Auto	Auto	Auto	Auto	Auto
	Air Direction Control (Left/Right)		Auto	Auto	Auto	Auto	Auto
	Auto Fan speed		•	•	•	•	•
Air Purification	Ionizer (SPI)		-	-	-	-	-
	PM 2.5 Filter		•	•	•	•	•
	Easy Filter Plus		•	•	•	•	•
	Allergy Care		•	•	•	•	•
	Anti-Bacteria		•	•	•	•	•
	Auto Clean (Self Cleaning)		•	•	•	•	•
Operating Mode	2 Step Cooling		•	•	•	•	•
	Fast Cool		•	•	•	•	•
	Comfort Cool		•	•	•	•	•
	Good Sleep		•	•	•	•	•
	Dehumidification		•	•	•	•	•
	Fan Mode		•	•	•	•	•
Other Functions	Quiet		•	•	•	•	•
	WiFi Control - Samsung SmartThings		•	•	•	•	•
	Filter Cleaning Indicator		•	•	•	•	•
	Indoor Temp. Display		•	•	•	•	•
	Display On/Off		•	•	•	•	•
	Beep On/Off		•	•	•	•	•
	Auto Changeover		•	•	•	•	•
	Auto Restart		•	•	•	•	•

Accessory

Included

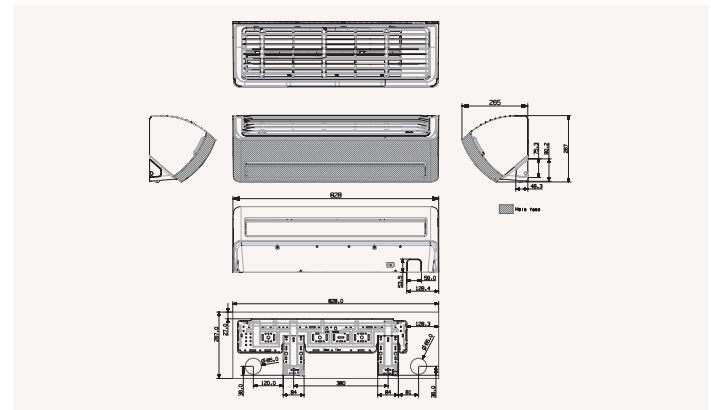


Wireless Remote Controller

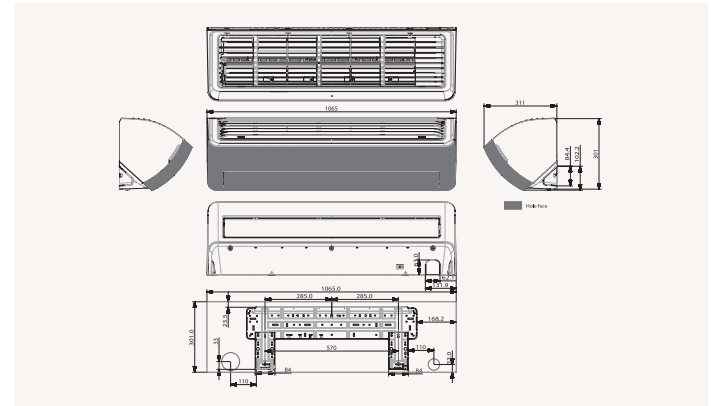
Dimensional Drawings

Wind-Free™ Standard

AR07/09/12R/XC/WKNEU



AR18/24R/XC/WKNEU



Specifications



Triangle

- Easy Filter Plus
- Triangle SmartThings
- WiFi Control - Samsung SmartThings

Indoor Unit			AR07RWSAURNEU	AR09RWSAURNEU	AR12RWSAURNEU
Capacity	Cooling	kW	2.0	2.75	3.5
	Heating up to +7°C	kW	2.2	3.2	3.5
Performance					
Moisture Removal	l/h	TBD	1.0	1.5	
Air Flow Rate	m ³ /min		8.0	9.3	10.8
Sound Power	Cooling	dB(A)	54	54	59
	Low/High	dB(A)	22/ 37	19/ 37	19/ 40
Electrical Data					
Power Source	V/Hz/Φ		220-240/ 50/ 1	220-240/ 50/ 1	220-240/ 50/ 1
Power consumption	Cooling	W	30	50	50
	Heating	W	30	30	30
Current Input	Cooling	A	0.3	0.3	0.3
	Heating	A	0.3	0.3	0.3
Dimensions					
Net Dimensions (W x H x D)	mm		826*201*201	826*261*261	826*201*201
Net Weight	kg		9.5	9.5	9.5
Refrigerant					
Piping Connections	Liquid Pipe	Φ inch	1/4	1/4	1/4
	Gas Pipe	Φ inch	5/8	5/8	5/8
Piping Connections	Drain Pipe	Φ mm	D 16	D 16	D 16
Functions					
Air Flow	Wind-Free™ Cooling		-	-	-
	Air Direction Control (Up/Down)		Auto	Auto	Auto
	Air Direction Control (Left/Right)		Manual	Manual	Manual
	Auto Fan speed		•	•	•
Air Purification	Ionizer (SP)		•	•	•
	PM 2.5 Filter		•	•	•
	Easy Filter Plus		•	•	•
	Allergy Care		•	•	•
	Anti-Bacteria		•	•	•
	Auto Clean (Self Cleaning)		•	•	•
Operating Mode	2 Step Cooling		•	•	•
	Fast Cool		•	•	•
	Comfort Cool		•	•	•
	Good Sleep		•	•	•
	Dehumidification		•	•	•
	Fan Mode		•	•	•
	Quiet		•	•	•
		Auto Restart		•	•
Other Functions	WiFi Control - Samsung SmartThings		•	•	•
	Filter Cleaning Indicator		•	•	•
	Indoor Temp. Display		•	•	•
	Display On/Off		•	•	•
	Beep On/Off		•	•	•
	Auto Changerover		•	•	•
	Auto Restart		•	•	•
		Auto Restart		•	•

Accessory

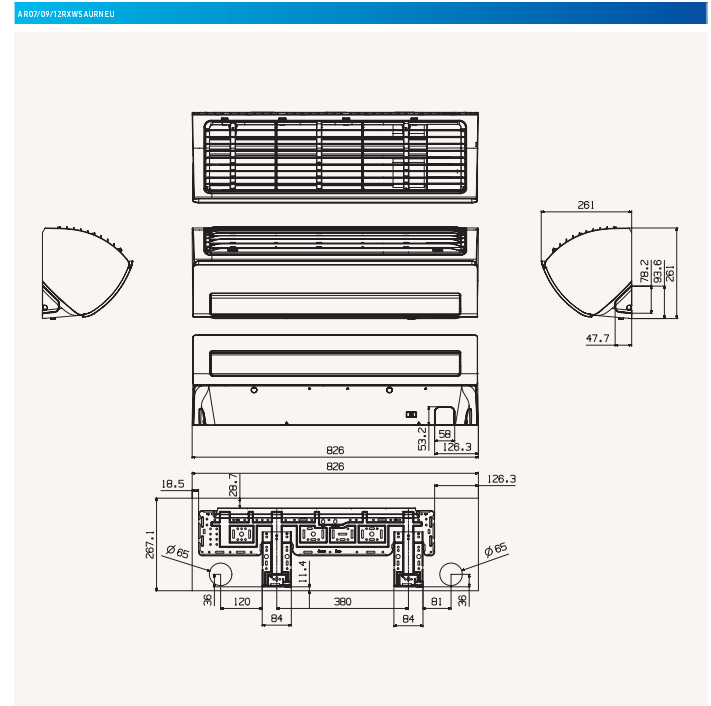
Included



Wireless Remote Controller

Dimensional Drawings

Triangle



Specifications



Boracay

• 3-CH FIBER

Indoor Unit		AR07R9XFHBMKNEU	AR09R9XFHBMKNEU	AR12R9XFHBMKNEU	AR18R9XFHBMKNEU	AR24R9XFHBMKNEU	
Capacity	Cooling	kW	2.0	2.5	3.5	5.0	6.5
	Heating up to +7°C	kW	2.2	3.2	3.5	5.0	7.4
Performance							
Moisture Removal	l/h	TBD	1.0	1.5	2.0	2.5	
Air Flow Rate	m ³ /min	8.0	9.2	11.3	16.1	18.3	
Sound Power	Cooling	dB(A)	56	56	59	58	63
Sound Pressure	Low/High	dB(A)	21 / 38	21 / 38	21 / 42	25 / 42	29 / 45
Electrical Data							
Power Source	V/Hz/Φ	220-240/50/1	220-240/50/1	220-240/50/1	220-240/50/1	220-240/50/1	
Power consumption	Cooling	W	30	30	30	50	50
	Heating	W	30	30	30	50	50
Current Input	Cooling	A	0.3	0.3	0.3	0.4	0.4
	Heating	A	0.3	0.3	0.3	0.4	0.4
Dimensions							
Net Dimensions (W x H x D)	mm	820*285*227	820*285*227	820*285*227	1065*298*243	1065*298*243	
Net Weight	kg	8.5	8.5	8.5	11.6	11.6	
Refrigerant							
Piping Connections	Liquid Pipe	Φinch	1/4	1/4	1/4	1/4	
	Gas Pipe	Φinch	3/8	3/8	3/8	1/2	
Piping Connections	Drain Pipe	Φmm	10	10	10	10	
Functions							
Air Flow	Wind-Free™ Cooling	-	-	-	-	-	
	Air Direction Control (Up/Down)	Auto	Auto	Auto	Auto	Auto	
	Air Direction Control (Left/Right)	Manual	Manual	Manual	Manual	Manual	
	Auto Fan speed	●	●	●	●	●	
Air Purification	Ionizer (SPI)	-	-	-	-	-	
	PM 2.5 Filter	-	-	-	-	-	
	Easy Filter Plus	●	●	●	●	●	
	Allergy Care	●	●	●	●	●	
	Anti-Bacteria	●	●	●	●	●	
	Auto Clean (Self Cleaning)	●	●	●	●	●	
Operating Mode	2 Step Cooling	●	●	●	●	●	
	Fast Cool	●	●	●	●	●	
	Comfort Cool	●	●	●	●	●	
	Good Sleep	●	●	●	●	●	
	Dehumidification	●	●	●	●	●	
	Fan Mode	●	●	●	●	●	
Other Functions	Quiet	●	●	●	●	●	
	WiFi Control - Samsung SmartThings	-	-	-	-	-	
	Filter Cleaning Indicator	●	●	●	●	●	
	Indoor Temp. Display	●	●	●	●	●	
	Display On/Off	●	●	●	●	●	
	Beep On/Off	●	●	●	●	●	
	Auto Changeover	●	●	●	●	●	
	Auto Restart	●	●	●	●	●	

Accessory

Included

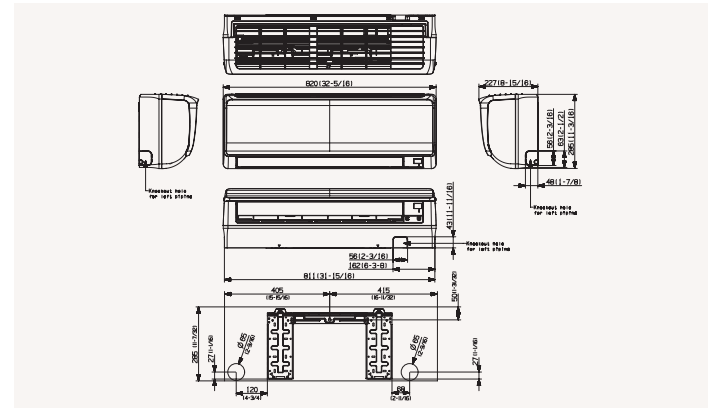


Wireless Remote Controller

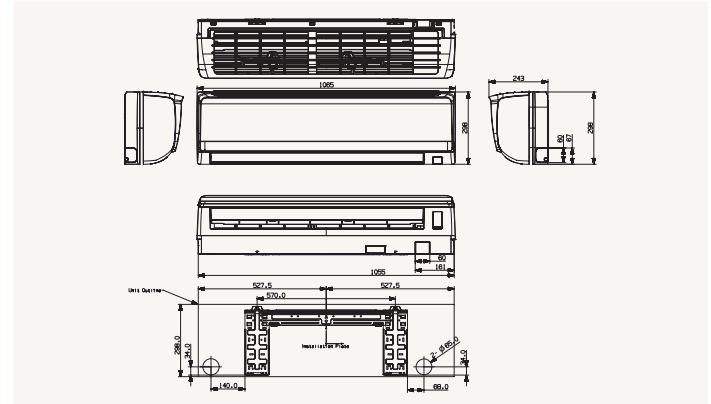
Dimensional Drawings

Boracay

AR07/09/12R9XFHBMKNEU



AR18/24R9XFHBMKNEU



Specifications



Maldives

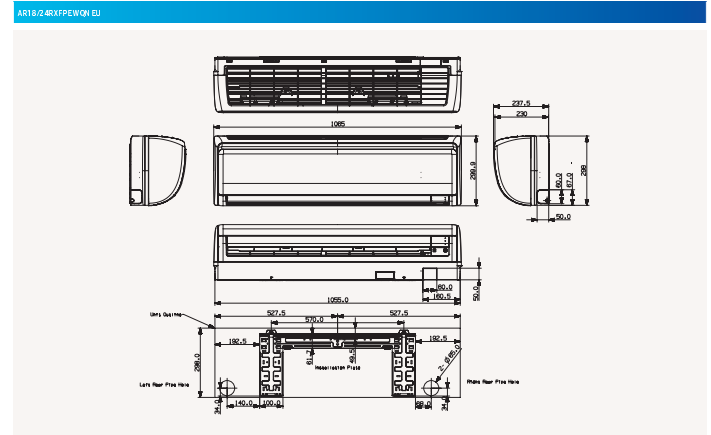
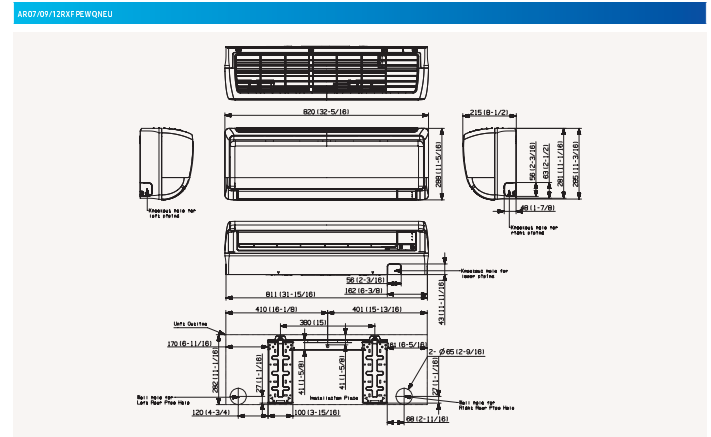
• 3-Core Filter

Indoor Unit			AR07RXFEWQNEU	AR09RXFEWQNEU	AR12RXFEWQNEU	AR18RXFEWQNEU	AR24RXFEWQNEU
Capacity	Cooling	kW	2.0	2.75	3.5	5.0	6.5
	Heating up to +7°C	kW	2.2	3.2	3.5	6.0	7.4
Performance							
Moisture Removal	l/h	TBD	1.0	1.5	2.0	2.5	
Air Flow Rate	m ³ /min		8.0	9.2	11.3	16.1	18.3
Sound Power	Cooling	dB(A)	56	56	59	58	63
Sound Pressure	Low/High	dB(A)	21 / 38	21 / 38	21 / 42	25 / 42	29 / 45
Electrical Data							
Power Source	V/Hz/Φ		220-240/50/1	220-240/50/1	220-240/50/1	220-240/50/1	220-240/50/1
Power consumption	Cooling	W	30	30	30	50	50
	Heating	W	30	30	30	50	50
Current Input	Cooling	A	0.3	0.3	0.3	0.4	0.4
	Heating	A	0.3	0.3	0.3	0.4	0.4
Dimensions							
Net Dimensions (W x H x D)	mm		820x285x215	820x285x215	820x285x215	1065x298x230	1065x298x230
Net Weight	kg		8.0	8.0	8.0	11.6	11.6
Refrigerant							
Piping Connections	Liquid Pipe	Φinch	1/4	1/4	1/4	1/4	1/4
	Gas Pipe	Φinch	3/8	3/8	3/8	1/2	5/8
Piping Connections	Drain Pipe	Φmm	D 16	D 16	D 16	D 16	D 16
Functions							
Air Flow	Wind-Free™ Cooling		-	-	-	-	-
	Air Direction Control (Up/Down)		Auto	Auto	Auto	Auto	Auto
	Air Direction Control (Left/Right)		Manual	Manual	Manual	Manual	Manual
	Auto Fan speed		•	•	•	•	•
Air Purification	Ionizer (SP)		-	-	-	-	-
	PM 2.5 Filter		-	-	-	-	-
	Easy Filter Plus		•	•	•	•	•
	Allergy Care		•	•	•	•	•
	Anti-Bacteria		•	•	•	•	•
	Auto Clean (Self Cleaning)		•	•	•	•	•
Operating Mode	2 Step Cooling		•	•	•	•	•
	Fast Cool		•	•	•	•	•
	Comfort Cool		•	•	•	•	•
	Good Sleep		•	•	•	•	•
	Dehumidification		•	•	•	•	•
	Fan Mode		•	•	•	•	•
	Quiet		•	•	•	•	•
Other Functions	WiFi Control - Samsung SmartThings		-	-	-	-	-
	Filter Cleaning Indicator		-	-	-	-	-
	Indoor Temp. Display		-	-	-	-	-
	Display On/Off		•	•	•	•	•
	Beep On/Off		•	•	•	•	•
	Auto Changeover		•	•	•	•	•
	Auto Restart		•	•	•	•	•

- Accessories**
- Included
 - Wireless Remote Controller

Dimensional Drawings

Maldives



Specifications



Wind-Free™ Mini 4-Way Cassette

- 2-Step Cooling – Fast Cooling & Wind-Free™ Cooling
- Four-way air supply via independently adjustable blades.
- Blade angle between 32° and 75°. Blade width 46mm.

- Built-in humidity sensor.
- Built-in condensation drain pump (750 mmH₂O).

Indoor Unit		AJ016RBNDEG/EU	AJ020RBNDEG/EU	AJ026RBNDEG/EU	AJ035RBNDEG/EU	AJ052RBNDEG/EU	
Capacity	Cooling	kW	1.6	2.0	2.6	3.5	5.2
	Heating up to +7°C	kW	2.0	2.2	2.9	3.8	5.6
Performance	Air Flow Rate	m ³ /min	9.0/ 8.2/ 6.9	9.0/ 8.2/ 6.9	9.0/ 8.2/ 6.9	10.5/ 9.0/ 7.4	10.5/ 9.0/ 7.4
	Sound Power	dB(A)	49	49	49	53	55
Sound Pressure	Low/High	dB(A)	24/ 29/ 33	24/ 29/ 33	24/ 29/ 33	27/ 31/ 35	32/ 36/ 39
	Electrical Data						
Power Source	V/Hz/Φ		220-240/ 50/ 1/ 2	220-240/ 50/ 1/ 2	220-240/ 50/ 1/ 2	220-240/ 50/ 1/ 2	220-240/ 50/ 1/ 2
	Power consumption	W	19	19	19	22	28
Current Input	Cooling	A	0.51	0.51	0.51	0.52	0.53
	Heating	A	0.51	0.51	0.51	0.52	0.53
Dimensions	Net Dimensions (W x H x D)	mm	575 x 250 x 575	575 x 250 x 575	575 x 250 x 575	575 x 250 x 575	575 x 250 x 575
	Net Weight	kg	11.5	11.5	11.5	11.5	11.8
Piping Connections	Liquid Pipe	Φ, Inch	1/4"	1/4"	1/4"	1/4"	1/4"
	Gas Pipe	Φ, Inch	3/8"	3/8"	3/8"	3/8"	1/2"
Piping Connections	Drain Pipe	Φ, mm	VP25 (OD 32, ID 25)	VP25 (OD 32, ID 25)	VP25 (OD 32, ID 25)	VP25 (OD 32, ID 25)	VP25 (OD 32, ID 25)
	Others						
Panel	Model code		PC4SUFMAN	PC4SUFMAN	PC4SUFMAN	PC4SUFMAN	PC4SUFMAN
	Net Dimensions (W x H x D)	mm	620 x 57 x 620	620 x 57 x 620	620 x 57 x 620	620 x 57 x 620	620 x 57 x 620
Accessories	Net Weight	kg	2.7	2.7	2.7	2.7	2.7
	Drain pump		included	included	included	included	included
Accessories	Max Lifting height/ displacement	mm/ L/h	750 / 24	750 / 24	750 / 24	750 / 24	750 / 24

Accessories

Optional Required

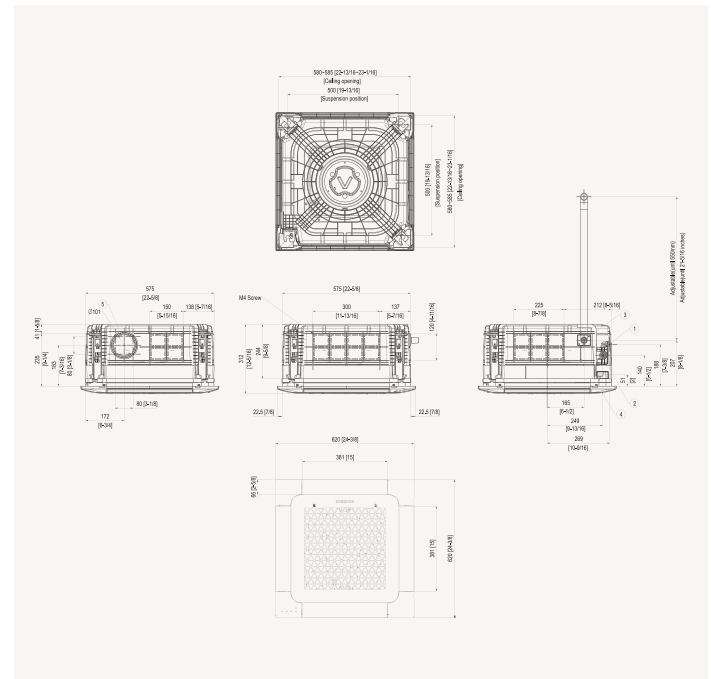


MWR-WE13 PC4SUFMAN

Dimensional Drawings

Wind-Free™ Mini 4-Way Cassette

AJ016/020/026/035/052RBNDEG/EU



Pos.	Name	Description				
		1.6 kW	2.0 kW	2.6 kW	3.5 kW	5.2 kW
1	Liquid pipe connection			Φ6.35 (1/4)		
2	Gas pipe connection			Φ9.52 (3/8)		Φ12.7 (1/2)
3	Drain pipe connection			VP-25 (OD 32 mm, ID 25 mm)		
4	Power & Communication wiring conduit					
5	Knock hole for Fresh air intake			Φ10 (14)		

Specifications



Wind-Free™ 1-Way Cassette

- 2-Step Cooling – Fast Cooling & Wind-Free™ Cooling
- Blade angle between 37° and 87°, Blade width 100mm.
- Built-in humidity sensor.

- Height of only 135 mm.
- Built-in condensation drain pump (750 mmH₂O).

Indoor Unit			AJ026R81DEG/EU	AJ035R81DEG/EU
Capacity				
Cooling	kW		2.6	3.5
Heating up to +7°C	kW		2.9	3.8
Performance				
Air Flow Rate	m ³ /min		6.2 / 5.2 / 4.2	7.6 / 6.6 / 5.6
Sound Power	dB(A)		50	55
Sound Pressure	Low/High	dB(A)	26/29/32	30/33/37
Electrical Data				
Power Source	V/Hz/Φ		220~240/ 50/ 1/ 2	220~240/ 50/ 1/ 2
Power consumption	W		45	50
	W		45	50
Current Input	Cooling	A	0.23	0.25
	Heating	A	0.23	0.25
Dimensions				
Net Dimensions (W x H x D)	mm		970 x 135 x 410	970 x 135 x 410
Net Weight	kg		10.0	10.0
Refrigerant				
Piping Connections	Liquid Pipe	Φ, Inch	1/4"	1/4"
	Gas Pipe	Φ, Inch	3/8"	3/8"
Piping Connections	Drain Pipe	Φ, mm	VP20 (OD 26, ID 20)	VP20 (OD 26, ID 20)
Others				
Panel	Model code		PCINWFMAN	PCINWFMAN
	Net Dimensions (W x H x D)	mm	1198 x 35 x 500	1198 x 35 x 500
	Net Weight	kg	4.3	4.3
Accessories	Drain pump		Included	Included
	Max lifting height/ displacement	mm/ L/h	750 / 24	750 / 24

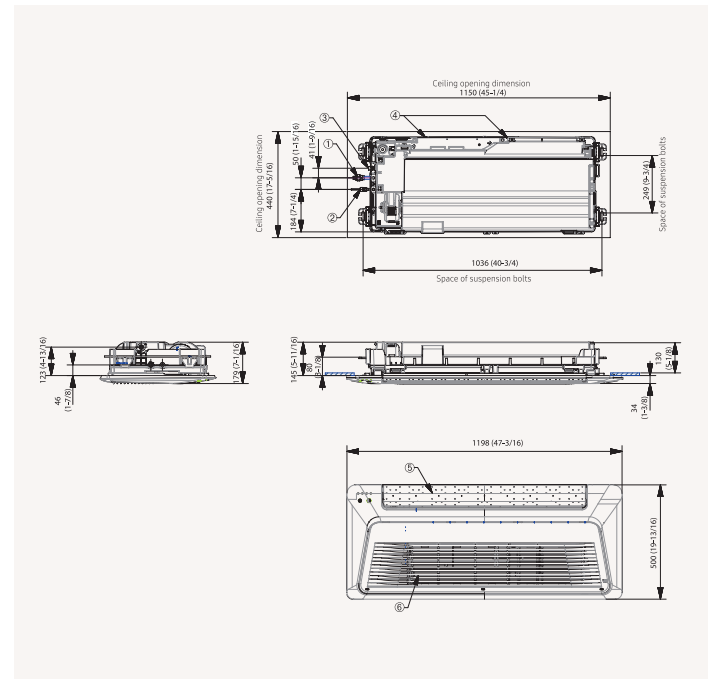
Accessories

Included	Optional	Required
Wireless Remote Controller	MWR-WE13	PCINWFMAN

Dimensional Drawings

Wind-Free™ 1-Way Cassette

AJ026/035R81DEG/EU



No	Name	Description
1	Gas pipe connection	Ø12.7 (1/2")
2	Liquid pipe connection	Ø6.35 (1/4")
3	Drain hose connection	VP20 (OD 26, ID 20)
4	Power supply/Communication wiring conduit	
5	Air outlet louver	
6	Air inlet grille	

Specifications



Duct

- High efficiency microchannel heat exchanger.
- Built-in electronic expansion valve (EEV) for refrigerant flow control (2000 steps).
- Auto Restart function.
- Condensation drain pump (optional).

- Long-life HD-40 permanent filter is included.
- Auto ESP function.
- SPF sensor device (optional).

Indoor Unit			Slim Duct AJ026RBLDEG/EU	Slim Duct AJ035RBLDEG/EU	MSP Duct AJ052RBLDEG/EU
Capacity					
	Cooling	kW	2.6	3.5	5.2
	Heating up to +7°C	kW	2.9	3.8	5.6
Performance					
	Air Flow Rate	m ³ /min	8.4 / 7.6 / 6.6	9.8 / 8.8 / 7.8	16.3 / 15.0 / 13.5
	Sound Power	dBS(A)	55	55	59
	Sound Pressure	dBS(A)	25/28/30	27/30/32	39/41/42
Electrical Data					
	Power Source	V/Hz/Φ	220-240/50/1/2	220-240/50/1/2	220-240/50/1/2
	Power consumption	W	80	80	170
		W	80	80	170
	Current Input	A	0.4	0.4	1.04
		A	0.4	0.4	1.04
Dimensions					
	Net Dimensions (W x H x D)	mm	900 x 199 x 600	900 x 199 x 600	900 x 260 x 480
	Net Weight	kg	23.3	23.3	28.3
Refrigerant					
	Piping Connections	Liquid Pipe	1/4"	1/4"	1/4"
		Gas Pipe	3/8"	3/8"	1/2"
	Piping Connections	Drain Pipe	VP25 (OD 32, ID 25)	VP25 (OD 32, ID 25)	VP25 (OD 32, ID 25)
Others					
	Accessories	Drain pump	MDP-E075SEE3	MDP-E075SEE3	MDP-M075SGU3
		Max lifting height/displacement	750 / 24	750 / 24	750 / 24
		Air Filter	Removable/Washable	Removable/Washable	Removable/Washable

Accessories

Optional

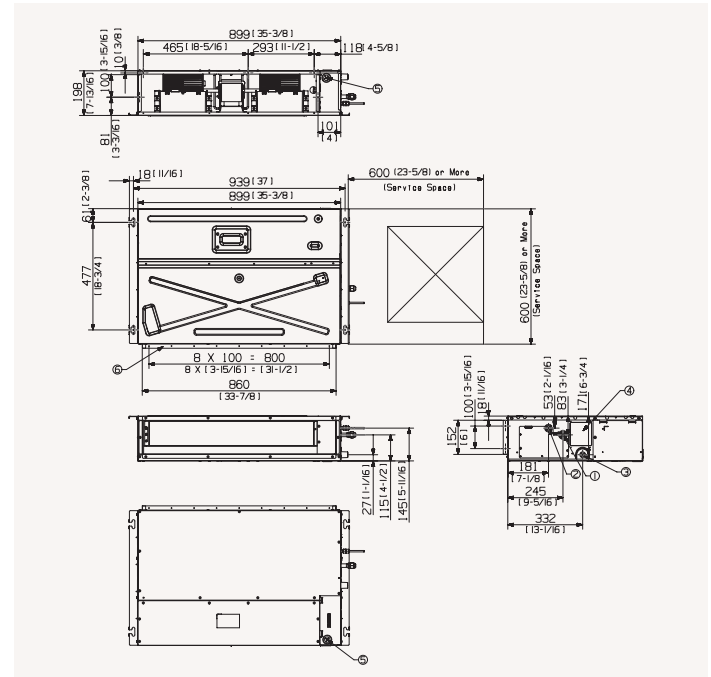


MWR-WE15

Dimensional Drawings

LSP Slim Duct

AJ1**RBLDEG/EU

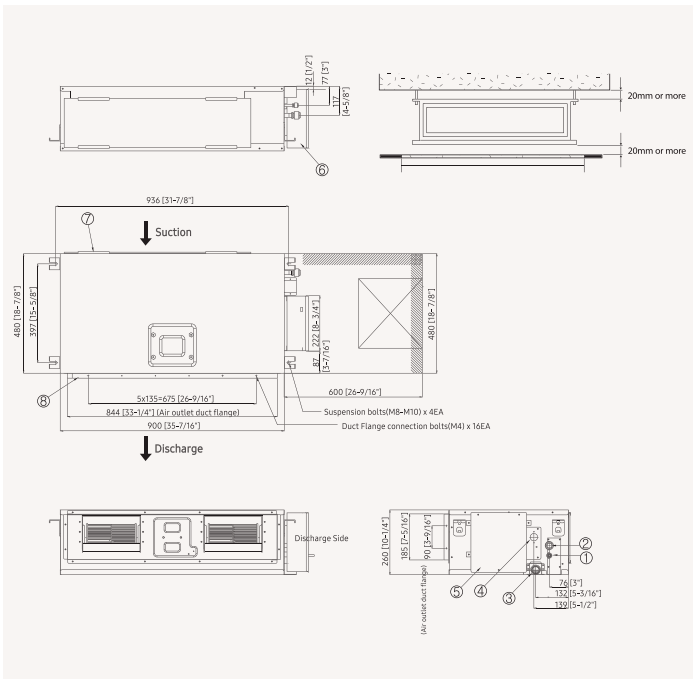


Pos.	Name	Description
1	Gas pipe connection	Ø9.52(3/8)
2	Liquid pipe connection	Ø6.35(1/4)
3	Drain pipe connection	VP25 (OD 32, ID 25)
4	Knockout hole for drain pump	Option kit
5	Conduit for power supply & communication wiring	-
6	Air outlet duct flange	-

Dimensional Drawings

MSP Duct

AJ0528MD EG**



Pos.	Name	Description
1	Liquid pipe connection	Ø6.35 (1/4)
2	Gas pipe connection	Ø12.70 (1/2)
3	Drain pipe connection	VR-25 (OD: 32 D: 25)
4	Knockout hole for Drain pump	Option kit
5	Control unit	-
6	Conduit for power supply & Communication wiring	-
7	Return air side	-
8	Air outlet duct flange	-



Specifications



Console (R32)

- SPI Inverter device (Included).
- Slim design: only 100 mm width.
- Built-in electronic expansion valve (EEV) for refrigerant flow control (2000 step).
- Two separate air outlets, upper (cooling) and bottom (heating) to avoid stratifications.

- Long-life washable permanent filter.
- Auto Restart function.

Indoor Unit			AJ024RBJDEG/EU	AJ035RBJDEG/EU	AJ052RBJDEG/EU
Capacity	Cooling	kW	2.6	3.5	5.2
	Heating up to +7°C	kW	2.9	3.8	5.6
Performance	Air Flow Rate	m ³ /min	9.0 / 7.8 / 6.7	10.5 / 9.3 / 8.2	11.2 / 9.9 / 8.6
	Sound Power	dB(A)	53	57	60
	Sound Pressure	Low/High	dB(A)	23 / 31 / 36	24 / 35 / 38
Electrical Data					
Power Source	V/Hz/Φ		220-240/ 50/ 1/ 2	220-240/ 50/ 1/ 2	220-240/ 50/ 1/ 2
Power consumption	Cooling	W	30	35	50
	Heating	W	30	35	50
Current Input	Cooling	A	0.25	0.29	0.29
	Heating	A	0.25	0.29	0.29
Dimensions					
Net Dimensions (W x H x D)	mm		720 x 199 x 620	720 x 199 x 620	720 x 199 x 620
Net Weight	kg		15.7	15.7	15.7
Refrigerant					
Piping Connections	Liquid Pipe	Φ.inch	1/4"	1/4"	1/4"
	Gas Pipe	Φ.inch	3/8"	3/8"	1/2"
Piping Connections	Drain Pipe	Φ.mm	VP25 (OD 32.ID 25)	VP25 (OD 32.ID 25)	VP25 (OD 32.ID 25)

Console (R410A)

Indoor Unit			MH026FJEA	MH035FJEA	MH052FJEA
Capacity	Cooling	kW	2.6	3.5	5.2
	Heating up to +7°C	kW	2.9	3.8	5.6
Performance	Air Flow Rate	m ³ /min	9.0 / 7.8 / 6.7	10.5 / 9.3 / 8.2	11.2 / 9.9 / 8.6
	Sound Power	dB(A)	53	57	60
	Sound Pressure	Low/High	dB(A)	23 / 31 / 36	24 / 35 / 38
Electrical Data					
Power Source	V/Hz/Φ		220-240/ 50/ 1/ 2	220-240/ 50/ 1/ 2	220-240/ 50/ 1/ 2
Power consumption	Cooling	W	30	35	50
	Heating	W	30	35	50
Current Input	Cooling	A	0.25	0.29	0.29
	Heating	A	0.25	0.29	0.29
Dimensions					
Net Dimensions (W x H x D)	mm		720 x 199 x 620	720 x 199 x 620	720 x 199 x 620
Net Weight	kg		15.7	15.7	15.7
Refrigerant					
Piping Connections	Liquid Pipe	Φ.inch	1/4"	1/4"	1/4"
	Gas Pipe	Φ.inch	3/8"	3/8"	1/2"
Piping Connections	Drain Pipe	Φ.mm	D 18	D 18	D 18

Accessory

Optional



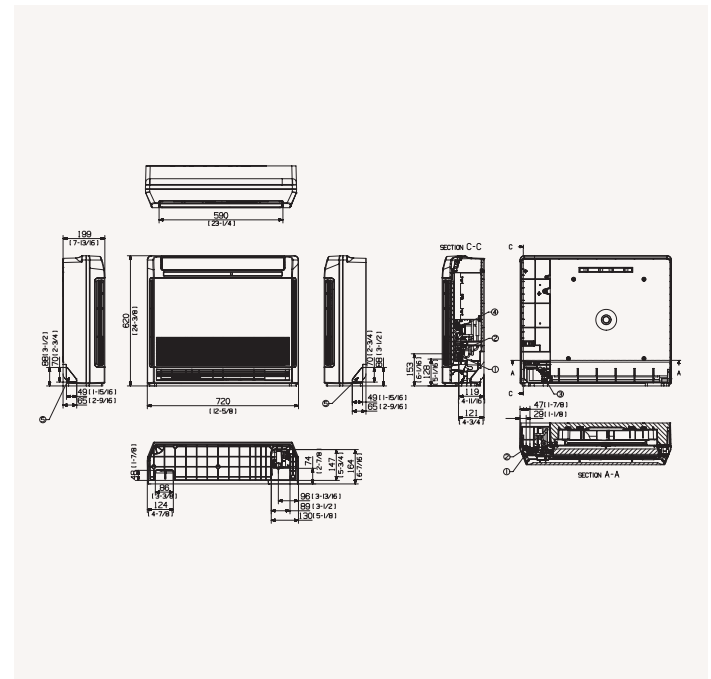
MWR-WE1S

* Console R32 unit can only be combined with FJM R32 Outdoor Units.
 * Console R410A unit can only be combined with FJM R410A Outdoor Units.
 Please contact your local Samsung representative for more information.

Dimensional Drawings

Console

AJ***BRJDEG/EU / MH***FJEA



No	Name	Description
		AJ024RBJDEG/EU MH026FJEA
		AJ035RBJDEG/EU MH035FJEA
1	Liquid pipe connection	Φ6.35 (1/4)
2	Gas pipe connection	Φ9.52 (3/8)
3	Drain pipe connection	Φ12.7 (1/2)
4	Power supply & communication wiring conduit	D 18 mm (1 1/8 inch) Hole
5	Knockout hole for drain hose	-